

EX520 Cinema Regulated Exciter Lamp Supply

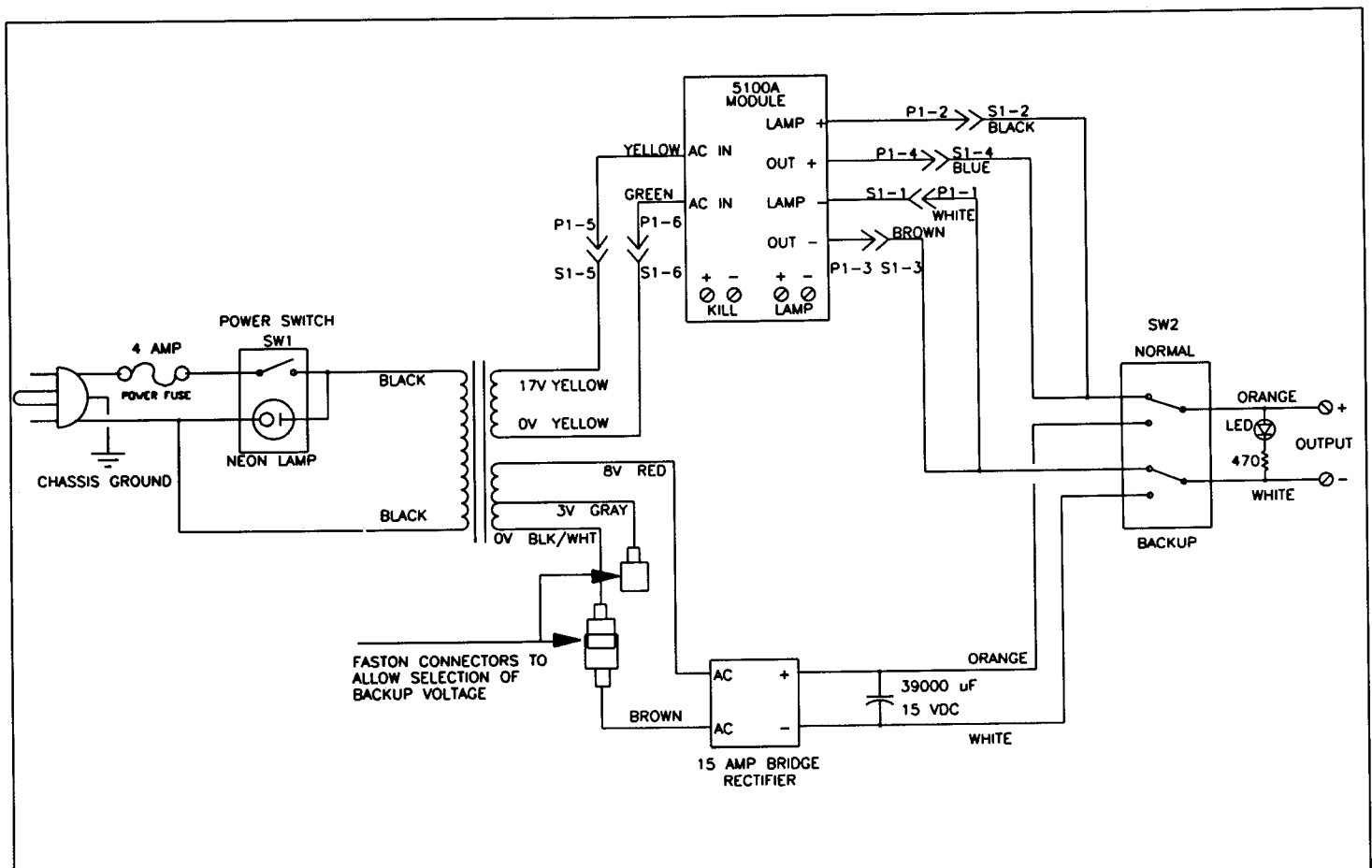
Hookup Instructions

The EX520 regulated exciter lamp supply uses the reliable SMART model 5100 switching supply module mounted on the rear of the chassis. The module quickly disconnects by releasing the screws and unplugging the main cable without having to remove the top cover. The regulated output may be adjusted for a wide range of both foreign and domestic exciter lamps by turning the multi-turn pot that controls the output. The operating range is from 4.5 VDC to 10 VDC.

The backup DC supply (unregulated) is set for domestic bulbs when shipped from the factory. The output is about 8 VDC (depending on the operating line voltage). To change the backup to 5 VDC for imported bulbs, remove the top cover. Locate the connector that has a brown wire. Unplug the Black/White wire from the connector and insert the gray wire into the connector.

The exciter lamp should be connected to the OUTPUT terminals on the main chassis. Do not use the LAMP output on the 5100 module or the operator cannot switch to backup from the front panel emergency switch.

The KILL terminals will decrease the regulated output to a low enough voltage to keep the filament of the bulb warm. This extends bulb life by not subjecting a cold bulb to high current during turn-on. Shorting the KILL terminals will put the regulated switching supply into a low voltage mode. Make sure you use a dry contact switching to avoid damage to the KILL circuit.



SMART DEVICES, INC.			
SCALE N/A	DATE 06/24/93	APPROVED	DRAWN BY: DLN
TITLE SCHEMATIC FOR MODEL EX520			
COMMENTS			DRAWING# 0520A500